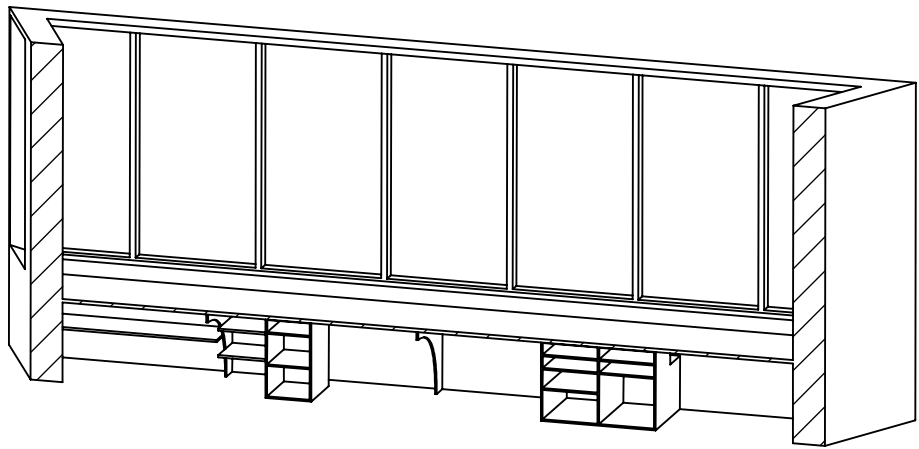


2

1

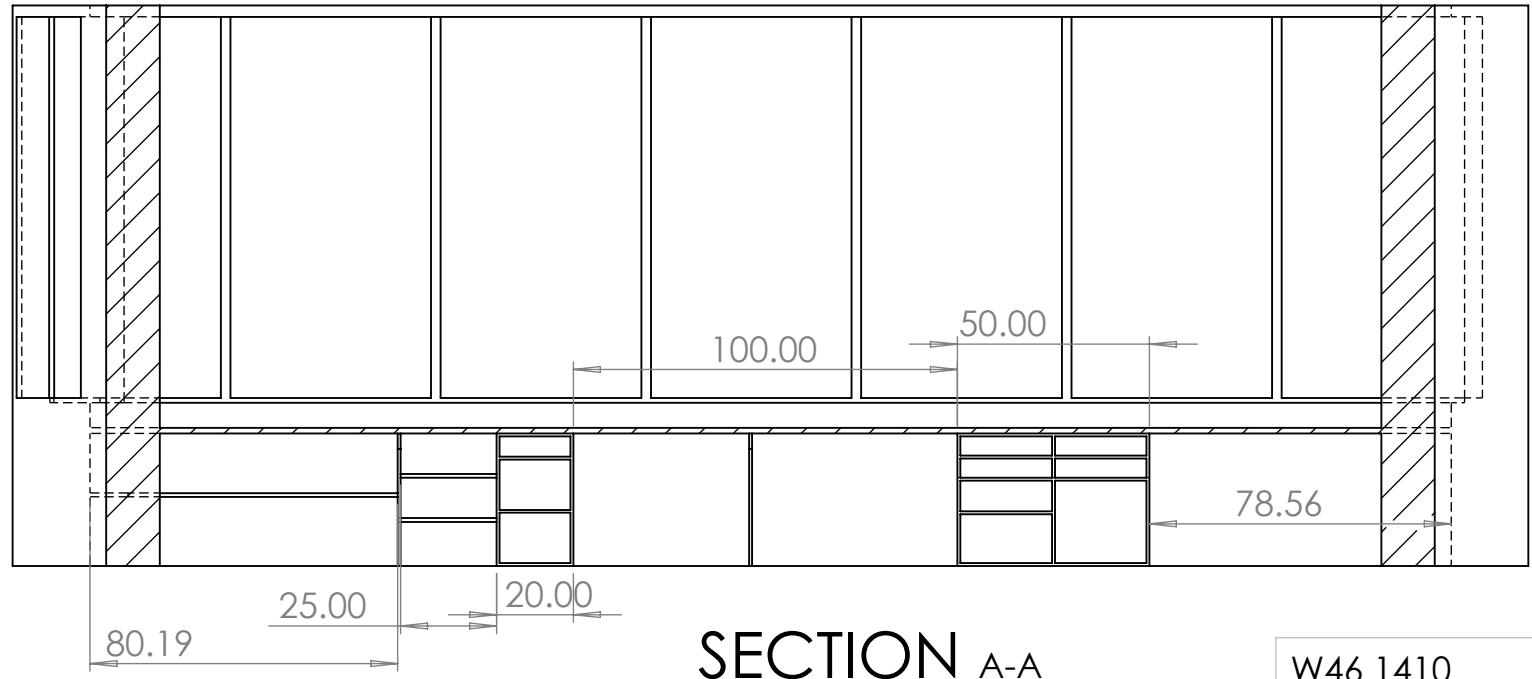
SECTION B-B

SCALE 1 : 80



B

B



A

A

SECTION A-A

SCALE 1 : 50

COMMENTS:

W46 1410

TITLE:

Shop Shelving

SIZE

A

DWG. DESC

Overview

REV

1

AUTHOR: ELIJAH BELL

INCHES

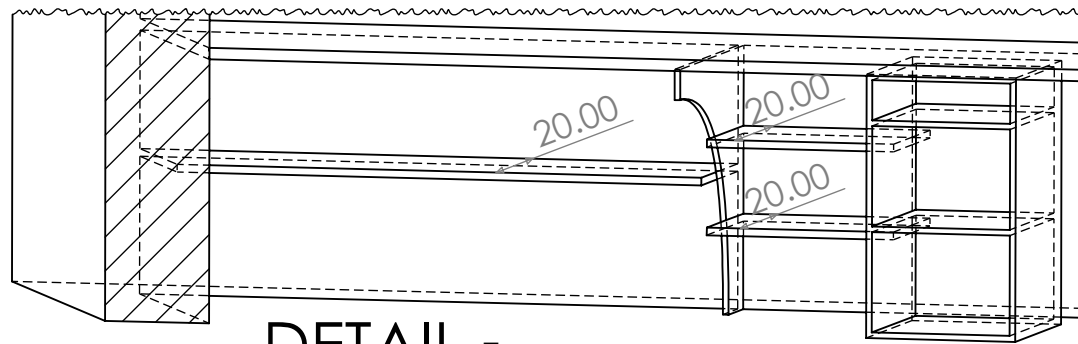
SCALE: 1:1

Modified: 2/26/2024

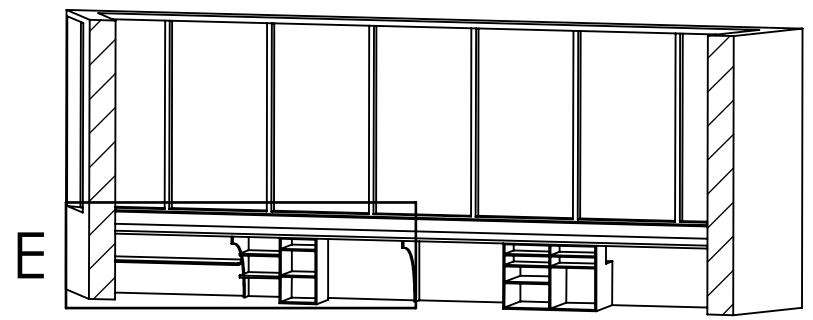
SHEET 1 OF 4

2

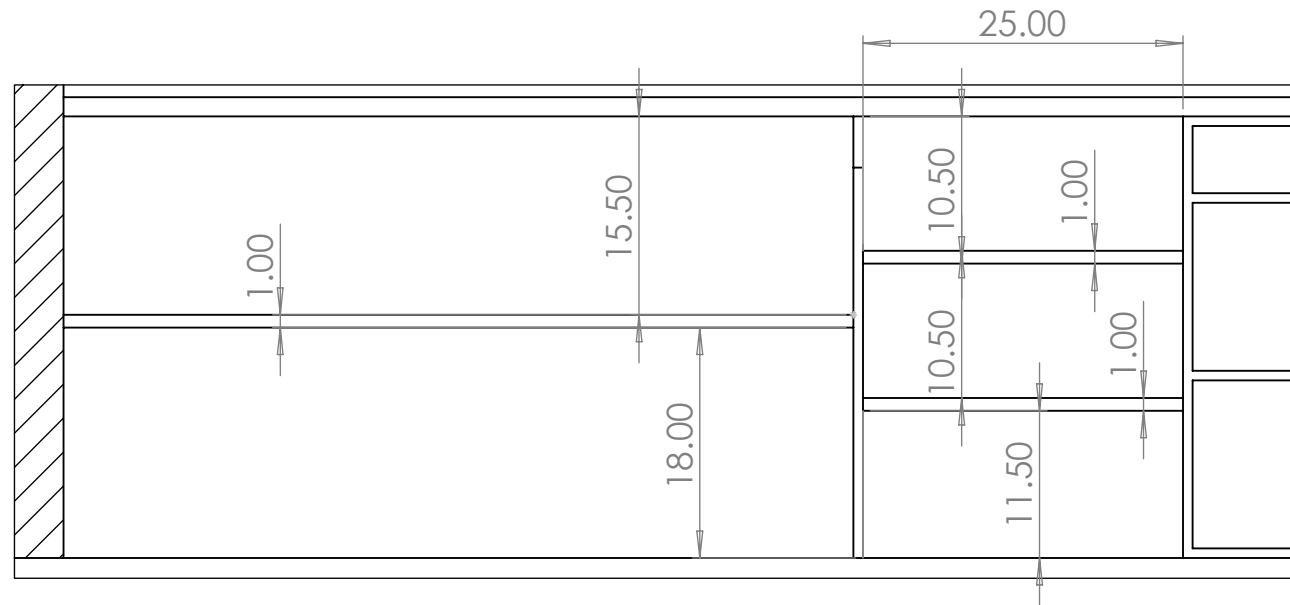
1



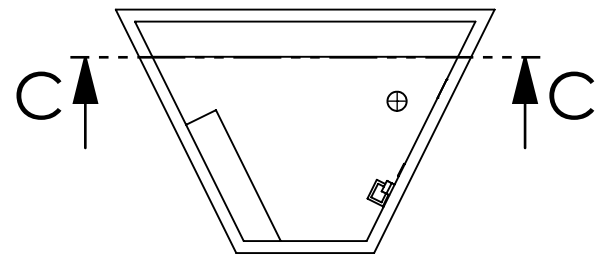
DETAIL E
SCALE 1 : 25



SECTION C-C
SCALE 1 : 100



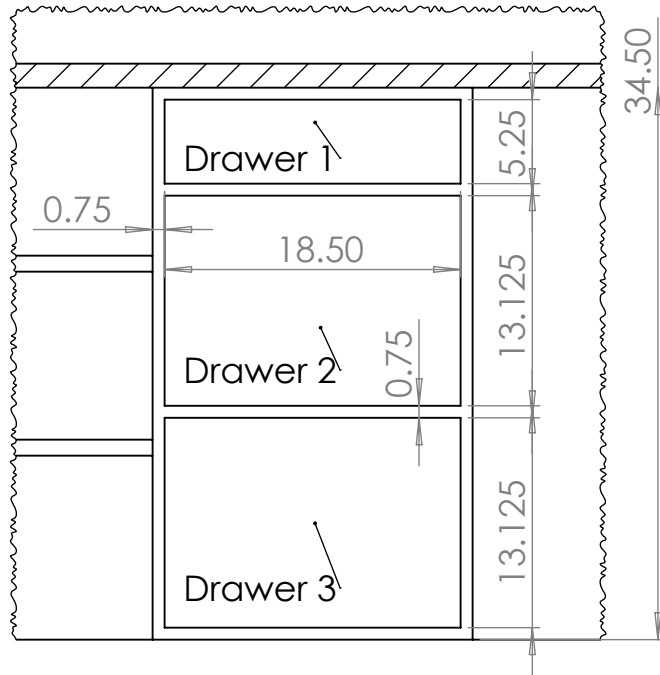
DETAIL D
SCALE 1 : 15



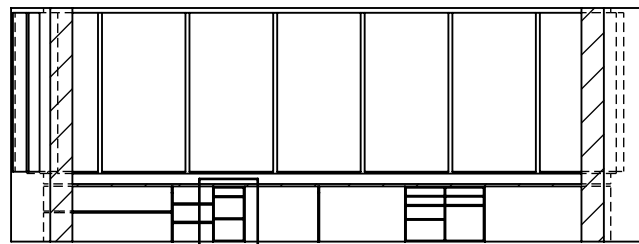
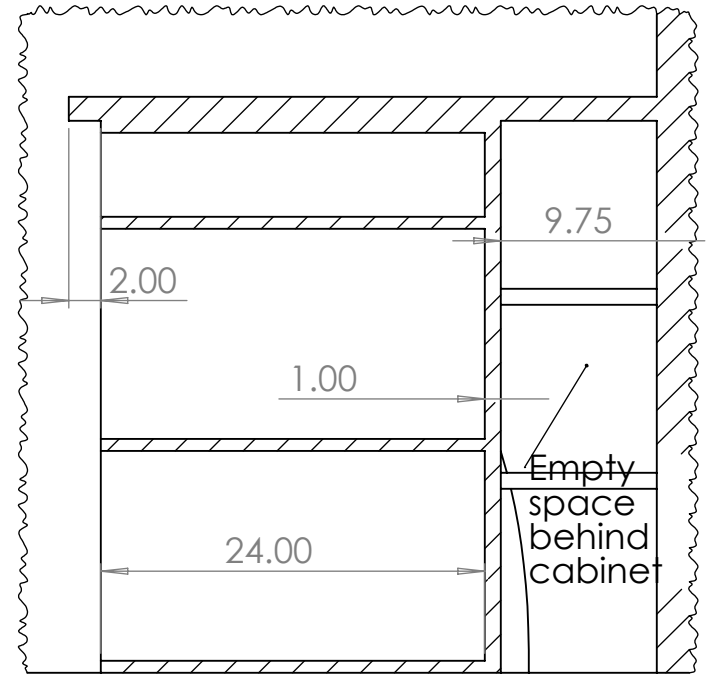
COMMENTS:
Shelving is for storing project bins. If support is needed under large shelf, leave space for (22x15x12") bins underneath

W46 1410		
TITLE: Shop Shelving		
SIZE A	DWG. DESC Overview	REV 1
AUTHOR: ELIJAH BELL	INCHES	SCALE: 1:200 Modified: 2/26/2024 SHEET 2 OF 4

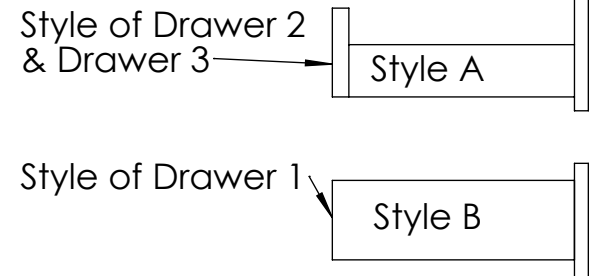
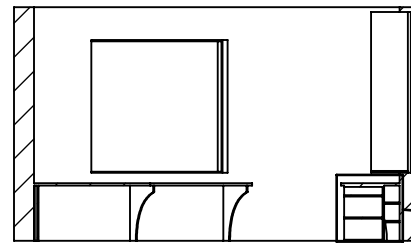
DETAIL G
SCALE 1 : 12



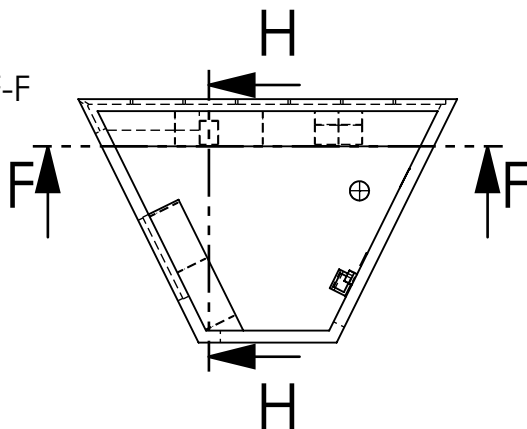
DETAIL I
SCALE 1 : 12



G



SECTION F-F
SCALE 1 : 120



SECTION H-H
SCALE 1 : 120

COMMENTS:

Given that I don't have access to the hardware accessible, I have left the construction details of the drawers unspecified.

W46 1410

TITLE:

Shop Shelving

SIZE

A

DWG. DESC

Overview

REV

1

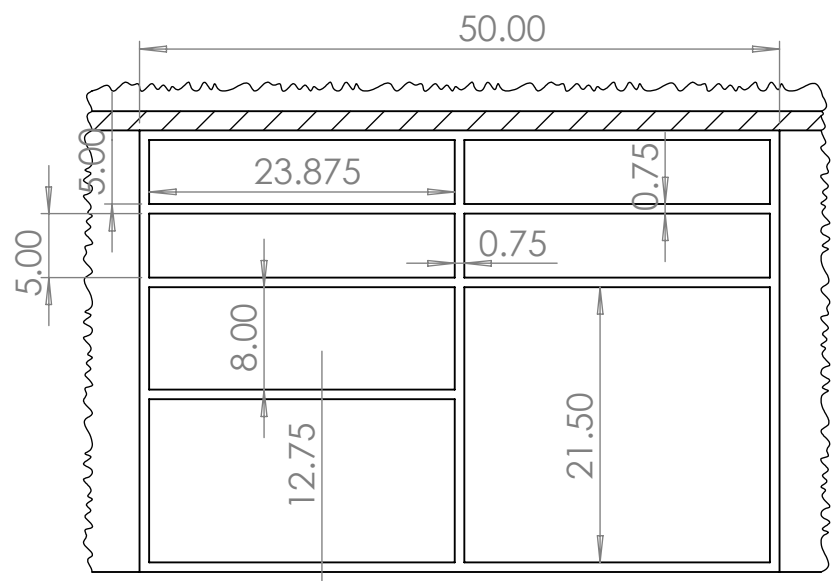
AUTHOR: ELIJAH BELL

INCHES

SCALE: 1:1

Modified: 2/26/2024

SHEET 3 OF 4



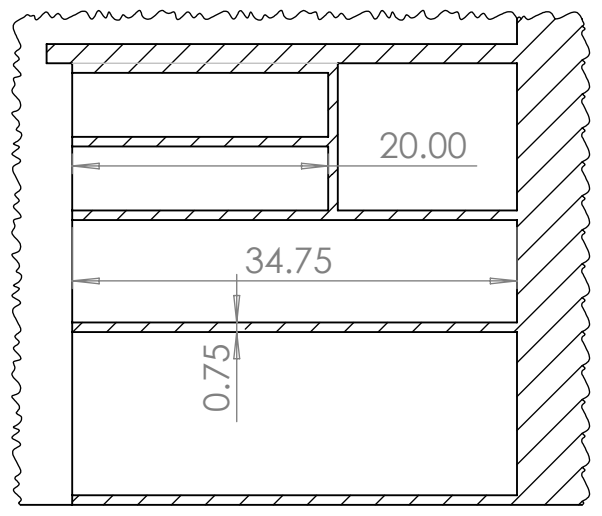
Top Drawers

Top Drawers are all Style B Drawers (diagram in sheet 3)
 Bottom shelves are shelves covered with a pair of doors.

Bottom Shelves

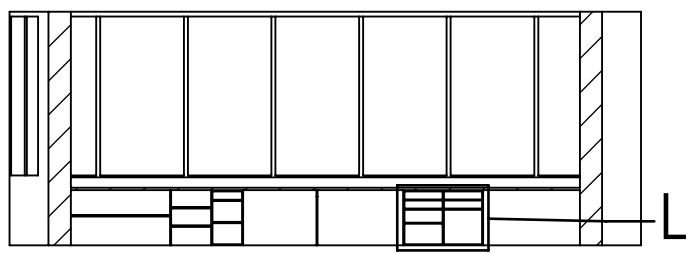
DETAIL L

SCALE 1 : 15

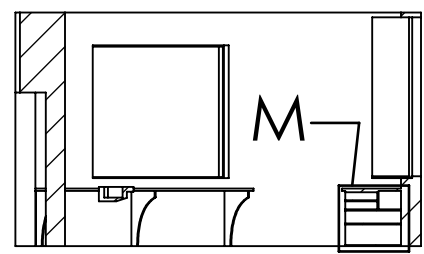


DETAIL M

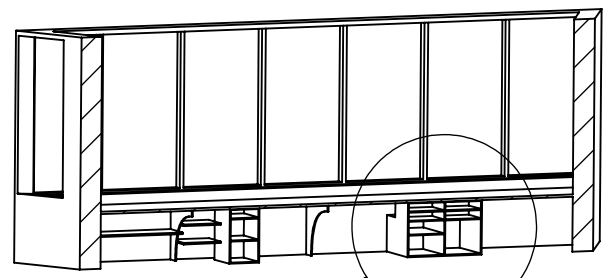
SCALE 1 : 15



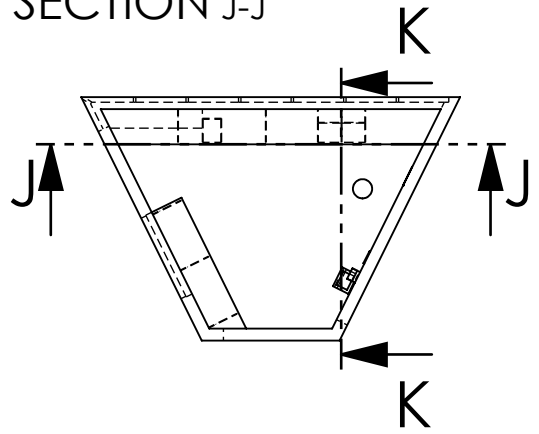
SECTION J-J



SECTION K-K



Cabinet



COMMENTS:
 All stock is 0.75" unless otherwise noted

W46 1410

TITLE:

Shop Shelving

SIZE

A

DWG. DESC

Overview

REV

1

AUTHOR: ELIJAH BELL

INCHES

SCALE: 1:200 Modified: 2/26/2024

SHEET 4 OF 4